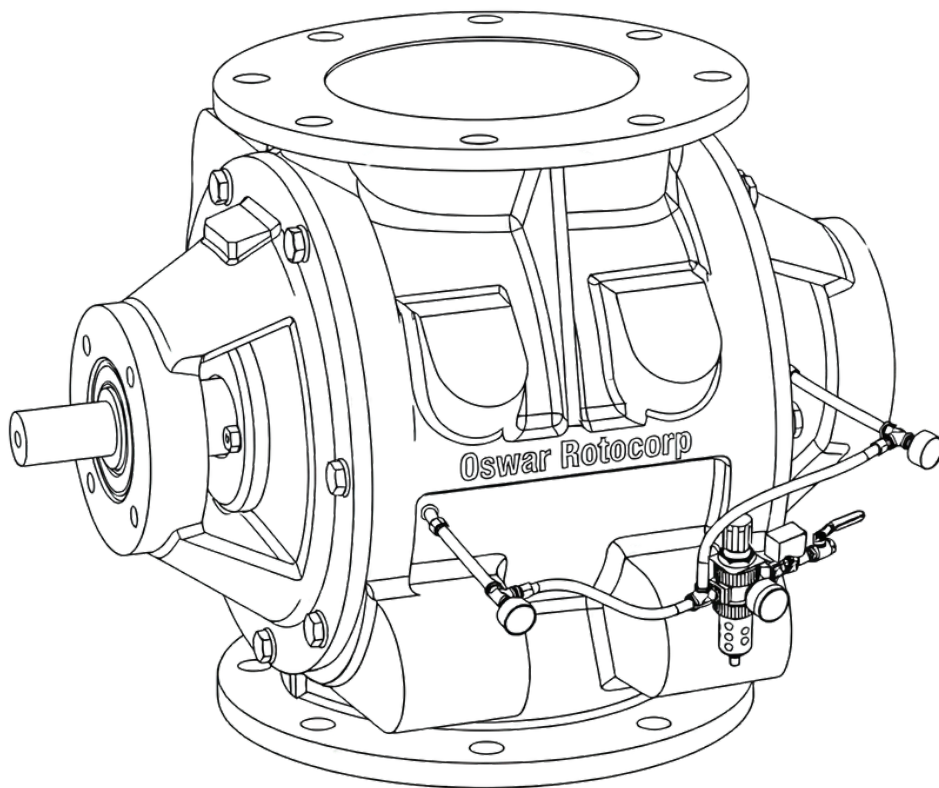



# ROTARY VALVE - PNEUMATIC PRESSURE SERIES

ENGINEERED FOR HIGH-PRESSURE  
PNEUMATIC CONVEYING



**OSWAR**  
rotocorp



The Rotary Valve X-BT Pneumatic Pressure Series is engineered specifically for high-pressure pneumatic conveying systems where airlock integrity and pressure stability are critical to process performance.

Designed with reinforced structural construction and optimized rotor configuration, the X-BT series ensures consistent material injection into pressurized conveying lines while minimizing air leakage and energy loss.

Its advanced sealing systems and controlled rotor clearances maintain operational stability across significant pressure differentials, making it suitable for dense phase and high-pressure material transfer applications.

## ADVANTAGES

HIGH-PRESSURE  
AIRLOCK  
INTEGRITY

OPTIMIZED FOR  
DENSE &  
PRESSURE PHASE  
SYSTEMS

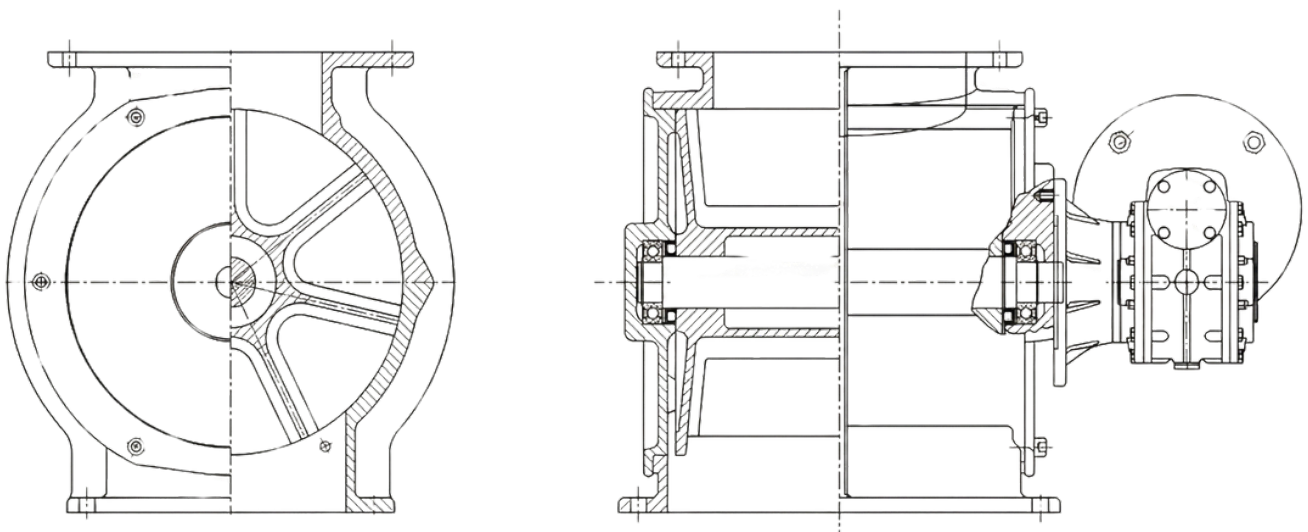
MINIMAL AIR  
LEAKAGE  
PERFORMANCE

STABLE MATERIAL  
INJECTION UNDER  
LOAD

# DESIGNED FOR PRESSURE STABILITY & FLOW CONTROL

The Rotary Valve X-BT Series is manufactured with heavy-section precision CNC-machined housings and high-strength rotor assemblies capable of maintaining dimensional stability under elevated pressure conditions.

The rotor geometry is optimized for smooth material entrainment into pneumatic pipelines, ensuring uniform dispersion and consistent feeding performance. Advanced sealing configurations enhance airlock integrity while reducing pressure losses across the valve interface.



## ENGINEERING FEATURES

- Heavy-duty precision CNC-machined housing
- Pressure-optimized rotor geometry
- Enhanced sealing system for high-pressure applications
- Controlled rotor clearances for airlock efficiency
- Reinforced shaft and bearing protection system

# HIGH-PRESSURE PNEUMATIC APPLICATIONS

## Typical Applications:

- **Dense Phase Pneumatic Conveying**
- **Pressure Pneumatic Conveying Systems**
- **Cement & Clinker Transfer**
- **Fly Ash Injection Systems**
- **Mineral Powder Pipeline Feeding**

## Industries Served:

- **Cement Manufacturing**
- **Power Generation Plants**
- **Mining & Mineral Processing**
- **Steel & Metallurgical Industries**



# OSWAR

## rotocorp

### **Corporate Office**

Jaipur, Rajasthan India  
Nagpur, Maharashtra India

### **Sales Inquiries**

[info@oswarrotocorp.com](mailto:info@oswarrotocorp.com)

### **Helpline**

[+44 7917 128505](tel:+447917128505) | +91 77422 36474

**Copyright** © 2026 OSWAR ROTOCORP. All Rights Reserved. OSWAR® is a registered trademark of **OSWAR ROTOCORP**. This brochure makes no offers, representations or warranties (express or implied), and information and data contained in this brochure are for general reference only and may change at any time.