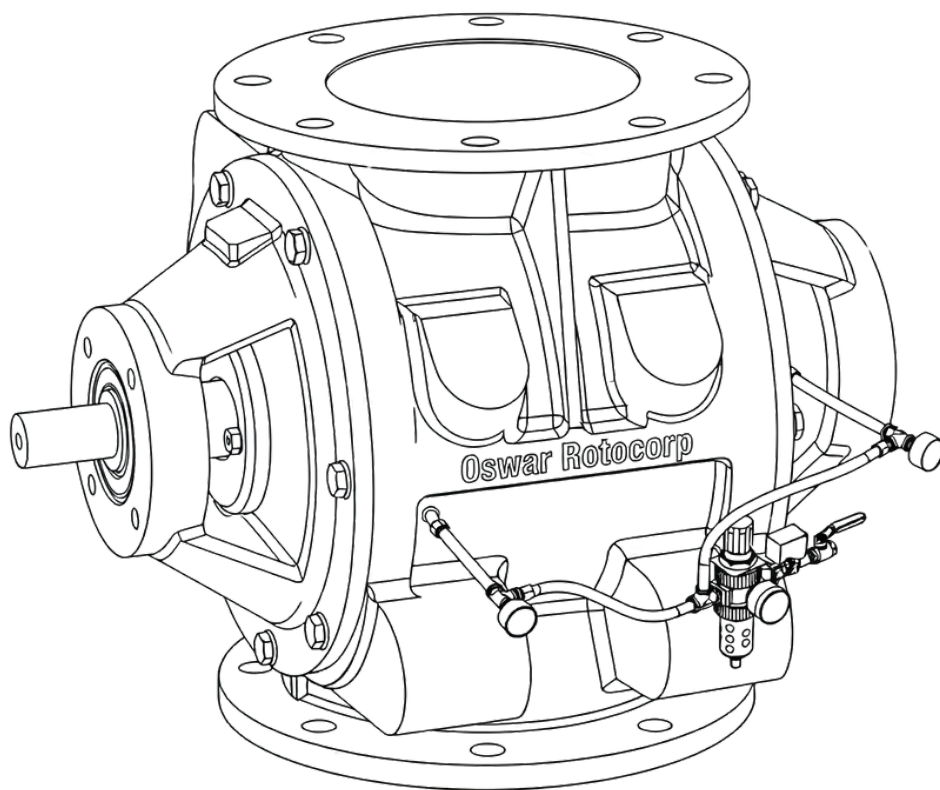



# ROTARY HIGH TEMPERATURE SERIES

ENGINEERED FOR ELEVATED THERMAL ENVIRONMENTS



**OSWAR**  
rotocorp



The RAL-HT High Temperature Series is specifically engineered to operate reliably in elevated thermal environments where standard rotary airlock valves may experience distortion, seal degradation, or premature wear.

Designed for kiln discharge systems, clinker handling, hot ash transfer, and high-temperature process points, the RAL-HT series incorporates thermal-resistant construction and enhanced sealing solutions to maintain airlock integrity under extreme heat conditions.

## KEY FEATURES

THERMAL-  
RESISTANT  
CONSTRUCTION

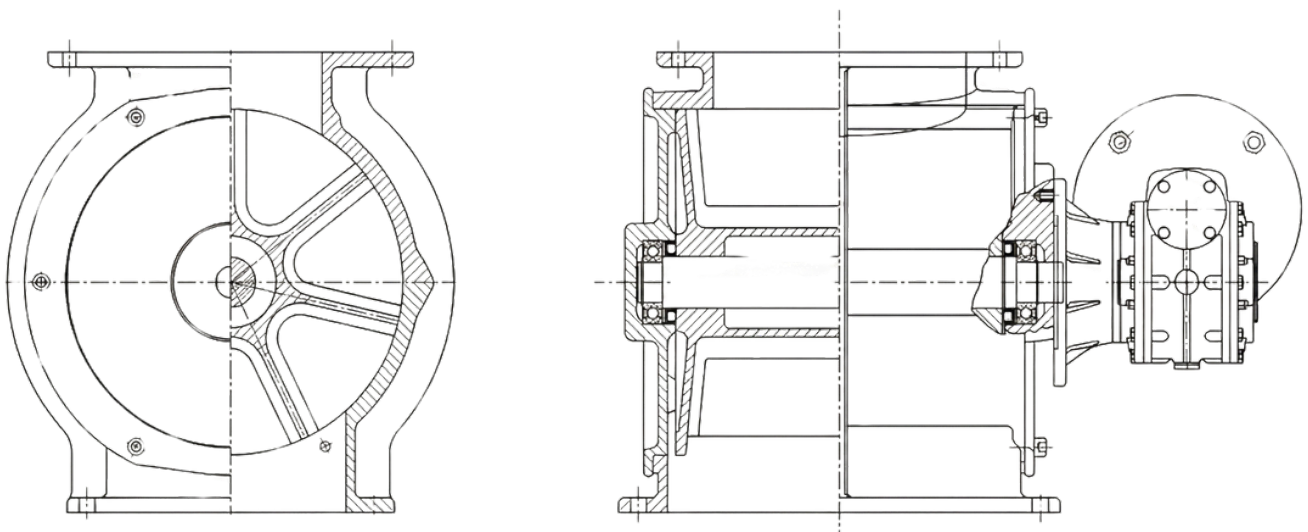
HIGH-  
TEMPERATURE  
SEALING SYSTEMS

STRUCTURAL  
STABILITY UNDER  
HEAT STRESS

EXTENDED  
SERVICE LIFE IN  
HOT  
APPLICATIONS

# ENGINEERED FOR THERMAL STABILITY & DURABILITY

The RAL-HT High Temperature Series is manufactured with heavy-section housings and rotor assemblies designed to accommodate thermal expansion while maintaining controlled clearances. Specialized high-temperature seals and insulation provisions protect critical components from heat transfer and material degradation. Advanced material selection and surface treatments enhance resistance to heat-induced wear and oxidation.

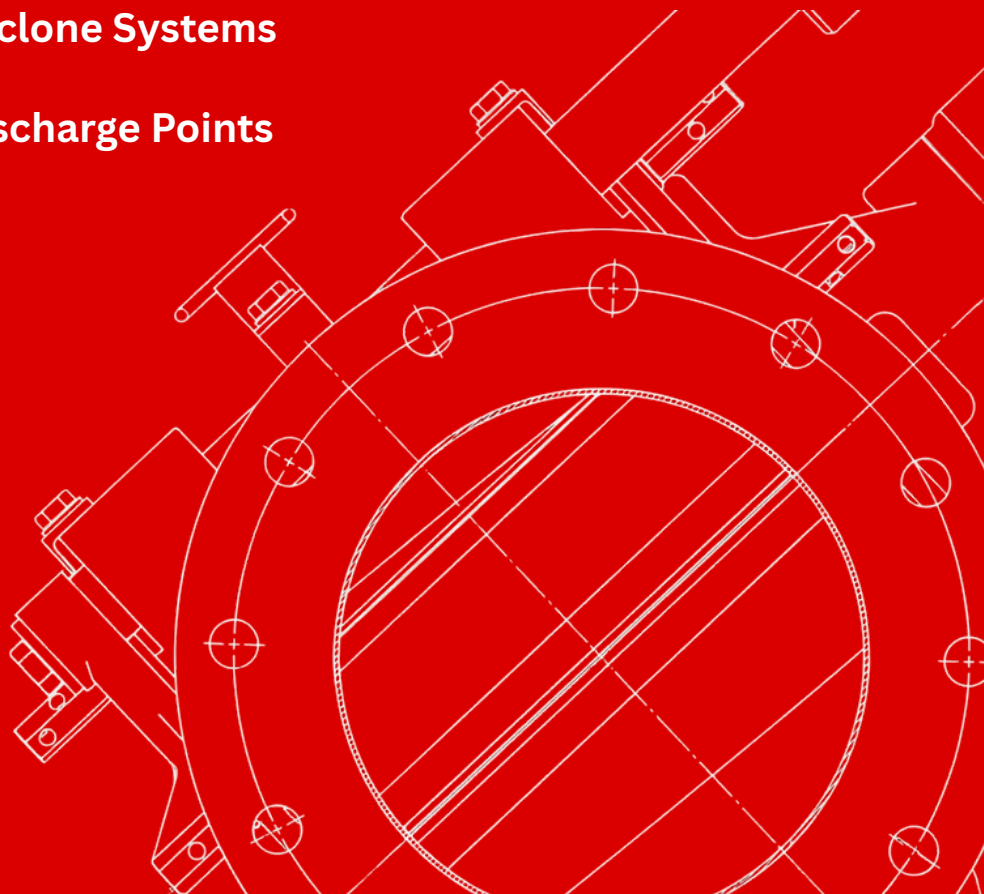


## MANUFACTURING & QUALITY

- Heavy-duty CNC-machined housing
- Thermal-expansion optimized rotor design
- High-temperature sealing materials
- Heat-resistant surface treatment options
- Outboard bearing protection system

# HIGH-TEMPERATURE PROCESS APPLICATIONS

- **Cement Manufacturing**
- **Power Generation Plants**
- **Steel & Metallurgical Industries**
- **Lime Production**
- **Chemical Processing Facilities**
- **Kiln & Clinker Discharge Systems**
- **Hot Ash Handling in Boilers**
- **Preheater & Calciner Discharge**
- **High-Temperature Cyclone Systems**
- **Furnace & Reactor Discharge Points**



# OSWAR

## rotocorp

### **Corporate Office**

Jaipur, Rajasthan India  
Nagpur, Maharashtra India

### **Sales Inquiries**

[info@oswarrotocorp.com](mailto:info@oswarrotocorp.com)

### **Helpline**

[+44 7917 128505](tel:+447917128505) | +91 77422 36474

**Copyright** © 2026 OSWAR ROTOCORP. All Rights Reserved. OSWAR® is a registered trademark of **OSWAR ROTOCORP**. This brochure makes no offers, representations or warranties (express or implied), and information and data contained in this brochure are for general reference only and may change at any time.